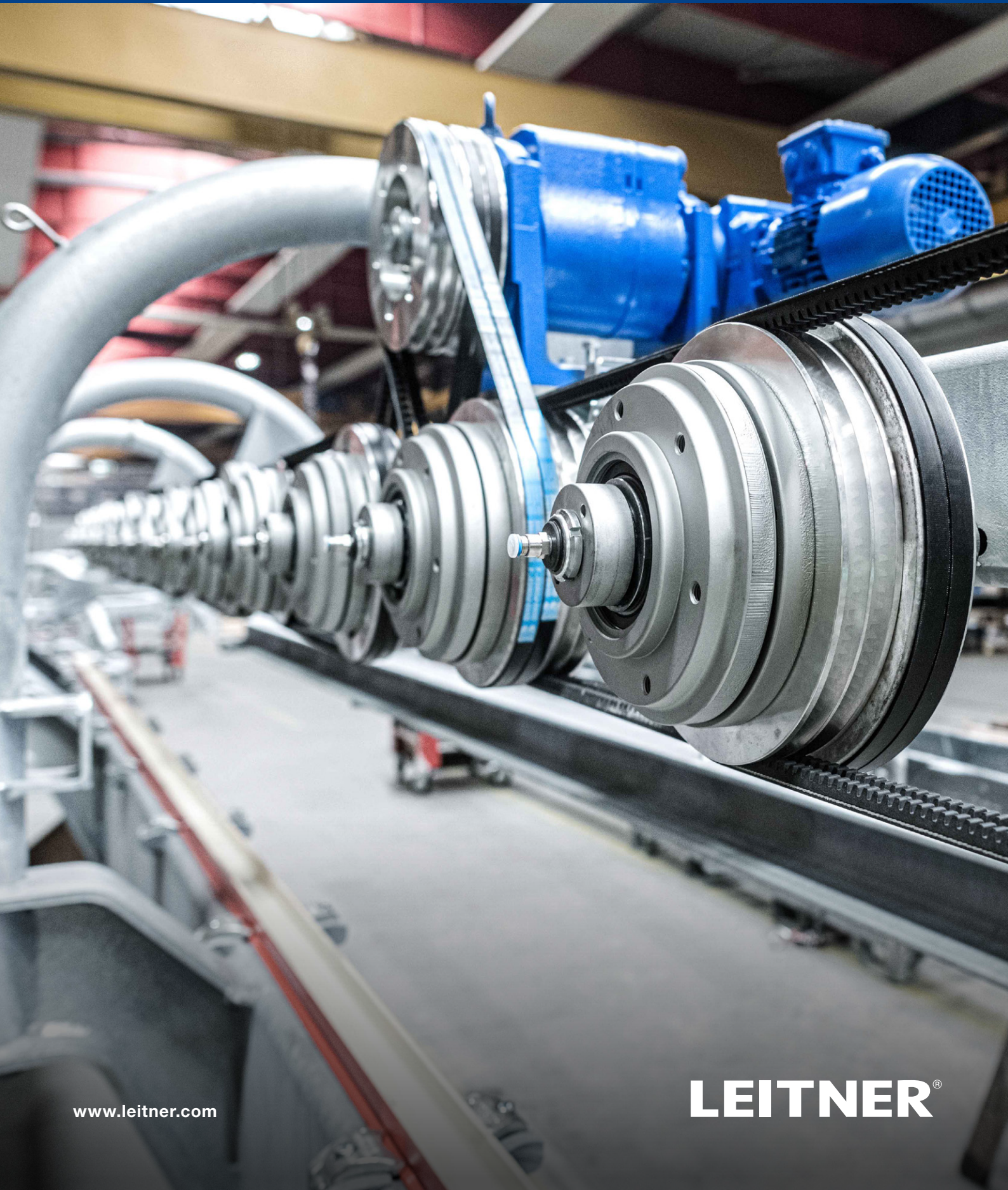


COMPONENTS FOR MAINTENANCE
LPA | CF | SL





COMPONENTS FOR MAINTENANCE



LPA

STATION	_____	5
VEHICLE	_____	15
LINE	_____	19
GARAGING SYSTEM	_____	24
MAINTENANCE IN THE STATION	_____	26
MAINTENANCE VEHICLE	_____	27
ACCESSORIES	_____	28

CF4 / CF2

STATION	_____	30
VEHICLE	_____	32
LINE	_____	32
ACCESSORIES	_____	37

SL

STATION	_____	39
GRIP	_____	40
LINE	_____	41
ACCESSORIES	_____	42

COMPONENTS FOR MAINTENANCE LPA

STATION _____	5
VEHICLE _____	15
LINE _____	19
GARAGING SYSTEM _____	24
MAINTENANCE IN THE STATION _____	26
MAINTENANCE VEHICLE _____	27
ACCESSORIES _____	28



STATION

DEVICE FOR SLIPPING RESISTANCE TEST

MODEL

ID-Number: **41460024**



STATION

CALIBRATION DEVICE FOR LOAD CELL - COUPLING RAIL

MODEL

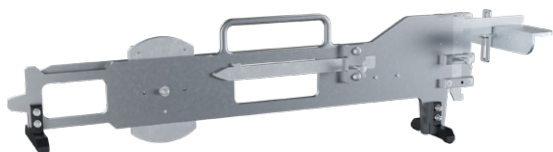
ID-Number: **41463315**



ASSEMBLY TOOLS FOR V-BELT PULLEY

MODEL

ID-Number: **41505714**



TEMPLATE FOR POSITIONING - ROPE DEFLECTION

MODEL

ID-Number: **50211947**



INTERMEDIATE FLANGE FOR CONVEYING TYRE

MODEL

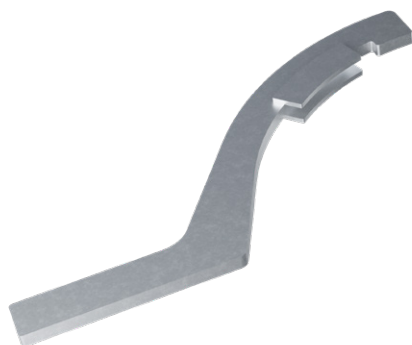
ID-Number: **41016050**



C HOOK SPANNER FOR DEFLECTION ROLLER BATTERY

MODEL

ID-Number: **51221122**



C HOOK SPANNER FOR SAFETY BRAKE

MODEL

ID-Number: **51221123**



TEMPLATE SHEAVE FOR LINER / ROLLER LINER

MODEL

ID-Number: **41510825**



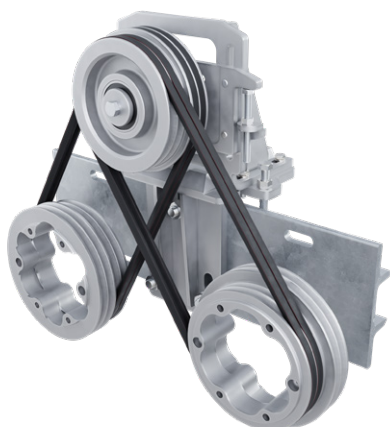
TEMPLATE FOR CONDUCTOR RAIL

MODEL
ID-Number: **41479816**



ROTATABLE HOISTING DEVICE 100 KG

MODEL
ID-Number: **41620896**

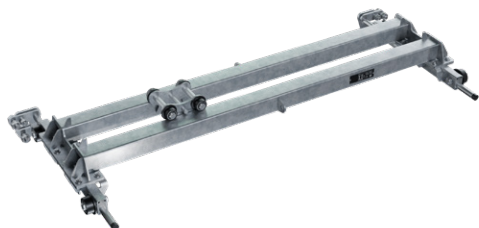


BELT TENSIONING DEVICE FOR TYRE CONVEYOR

MODEL
ID-Number: **41545498**

STATION

HOISTING DEVICE - STATION LPA / LPA-P



MODEL

ID-Number: **41532284**

STATION

CHAIN HOIST 2500 KG / 8M



MODEL

ID-Number: **20101043**

STATION

HOISTING DEVICE FOR DIRECT DRIVE



MODEL

ID-Number: **41532341**



TOOL BOX - STATION

MODEL

ID-Number: **41080402**



EXTENDIBLE LADDER

MODEL

ID-Number: **15100641**

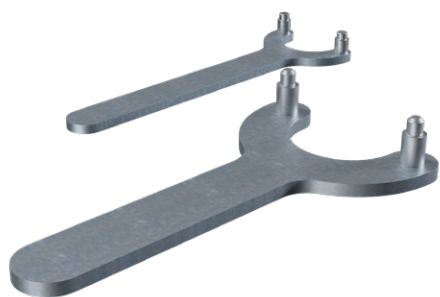


CALIBRE FOR COUPLING AREA

MODEL

ID-Number: **41522782**

STATION



SPECIAL TOOL FOR COUPLING STATION PARKING

MODEL

ID-Number: 50220260

STATION



SOCKET SPANNER LONG SW46-3/4"

MODEL

ID-Number: 20100401

STATION

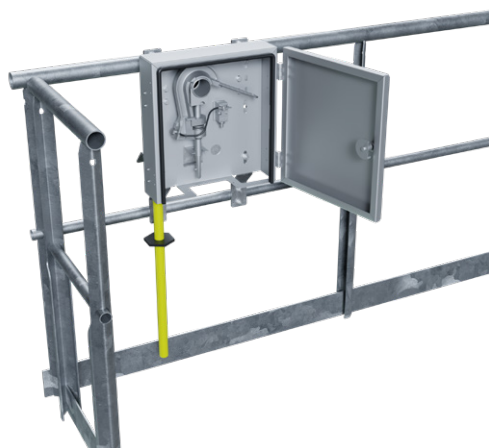


LUBRICATING DEVICE FOR GRIP

MODEL

ID-Number: 41484937-01

ID-Number: 41484937-02

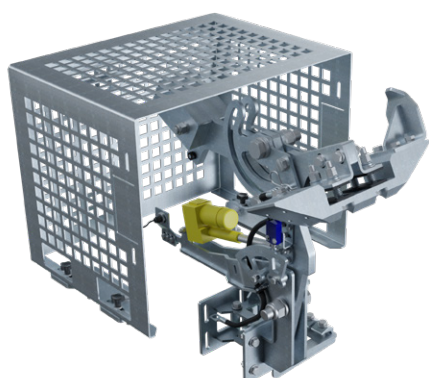


ROPE EARTHING HOOK

MODEL

ID-Number: **41445874-01**

ID-Number: **41445874-02**



ROPE EARTHING AUTOMATIC

MODEL

ID-Number: **41395774**

ID-Number: **41397225**

ID-Number: **41397438**



COMPRESSOR WITH SPIRAL TUBE AND AIR PISTOL WITH MANOMETER

MODEL

ID-Number: **20100746**

STATION



COMPRESSED AIR INSTALLATION - STATION

MODEL

ID-Number: **41530678**

STATION



COMPRESSED AIR INSTALLATION WITH EXTERNAL HOSE REEL - STATION

MODEL

ID-Number: **41512235**

STATION



MIRROR FOR ROPE INSPECTION

MODEL

ID-Number: **41422962**

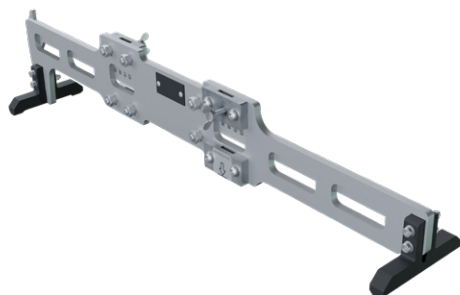
ID-Number: **41411620**



GRIP BRUSH - STATION ENTRANCE

MODEL

ID-Number: **41527048**



TEMPLATE FOR CONTROL RAIL

MODEL

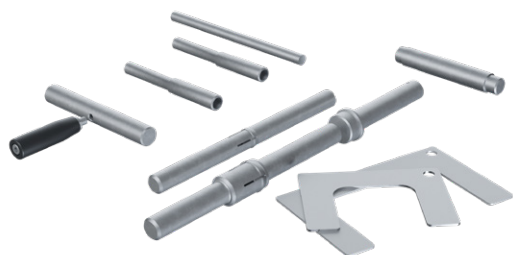
ID-Number: **50106938**



OIL PUMP FOR SHEAVE BEARING

MODEL

ID-Number: **50220265**



TOOL FOR GRIP

MODEL

ID-Number: **50220301**

ID-Number: **50220395**



GRIP OPENING DEVICE LPA

MODEL

ID-Number: **50100431**



TEMPLATE FOR CONTROL LEVER OUTSIDE

MODEL

ID-Number: **50000735**



TEMPLATE FOR CONTROL LEVER INSIDE

MODEL

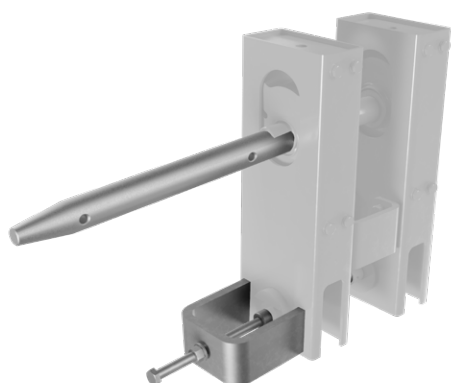
ID-Number: **50104939**



SWITCH ROD FOR OPERATING ELEMENT

MODEL

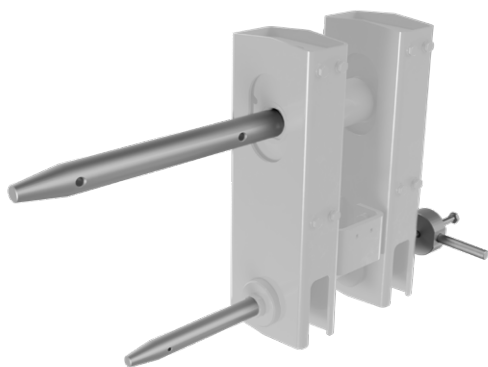
ID-Number: **41091887**



MAINTENANCE KIT FOR INTERMEDIATE LINK "DIAMOND"

MODEL

ID-Number: **41470365**



MAINTENANCE KIT FOR INTERMEDIATE LINK “SYMPHONY-DIAMOND EVO”

MODEL

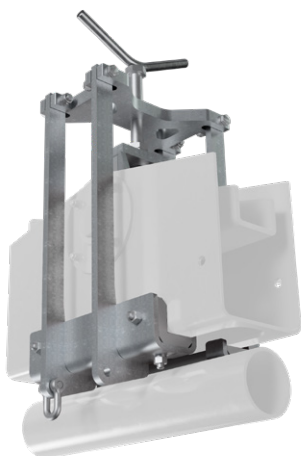
ID-Number: **41470300**



LOAD CONTROL DEVICE FOR GONDOLA DOOR

MODEL

ID-Number: **41044201**



MAINTENANCE KIT INTERMEDIATE FRAME LPE-6

MODEL

ID-Number: **41476011**



MAINTENANCE KIT INTERMEDIATE FRAME LPE-8

MODEL

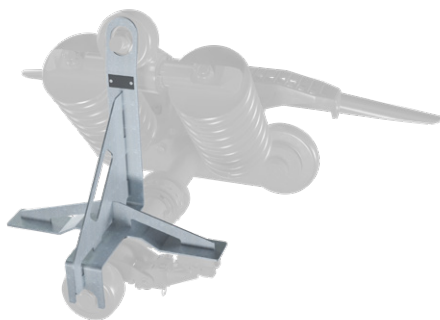
ID-Number: **41475815**



ADJUSTMENT WEIGHT FOR HOOD/SAFETY BAR

MODEL

ID-Number: **41095578**



TEMPLATE FOR CURRENT COLLECTOR LPA-N/M/L/XL

MODEL

ID-Number: **41467027**



LOAD CONTROL DEVICE FOR SAFETY BAR

MODEL

ID-Number: **50105105**



LOWERING DEVICE - VEHICLE LINE

MODEL

ID-Number: **41538813**



ROPE LIFTING DEVICE FOR SUPPORT ROLLER BATTERY

MODEL

ID-Number: **41039302**



HYDRAULIC ROPE LIFTING DEVICE

MODEL

ID-Number: **41424300**

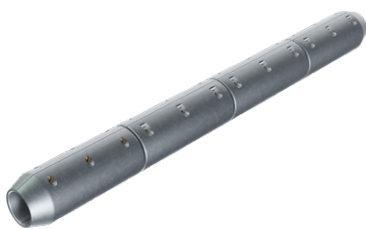


MOUNTING CONE FOR ROLLER AXLE D550

MODEL

ID-Number: **41199819**

ID-Number: **41199801**



CHECKING TOOL FOR CPS SENSOR

MODEL

ID-Number: **41530255**

LINE



PNEUMATIC PUMP FOR GREASE

MODEL
ID-Number: **28058186**

LINE



SET - CARTRIDGES WITH ADAPTOR

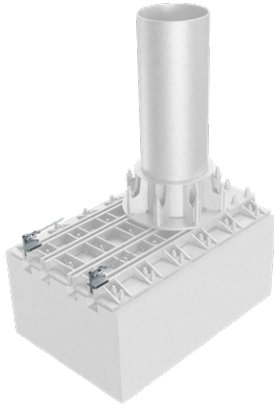
MODEL
ID-Number: **28058712**

LINE



BATTERY GREASE GUN

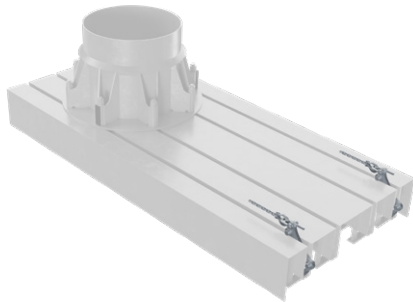
MODEL
ID-Number: **28025543**



ADJUSTING DEVICE OUTSIDE - LINE TOWER

MODEL

ID-Number: **50104850**



ADJUSTING DEVICE INSIDE - LINE TOWER

MODEL

ID-Number: **50105677**



ROLLER LINER MOUNTING DEVICE T-0695-B

MODEL

ID-Number: **20100126**

LINE



TOOLS RUBBER LINER/ ROLLER BEARING 190D

MODEL

ID-Number: **28023236**

LINE

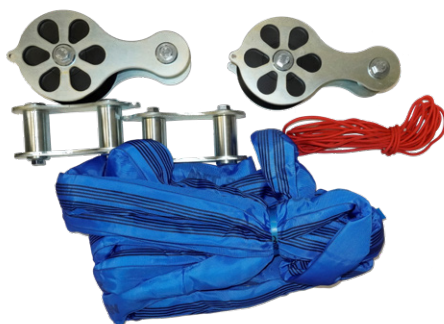


ROPE LIFTING DEVICE FOR ROLLER BATTERY

MODEL

ID-Number: **41528050**

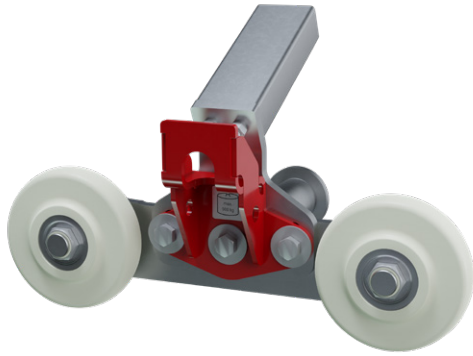
LINE



ROPE LIFTING DEVICE FOR COMPRESSION ROLLER BATTERY

MODEL

ID-Number: **15102725**



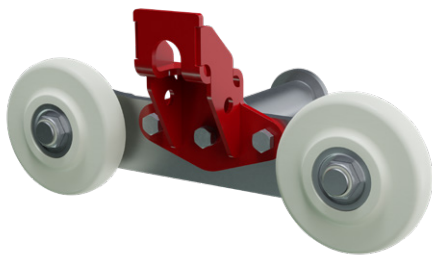
TRANSPORT DEVICE FOR CARRIER LPA N/M

MODEL

ID-Number: **50102567**

ID-Number: **50102570**

ID-Number: **41167049**



TRANSPORT DEVICE FOR CARRIER LPAN/M

MODEL

ID-Number: **50102561**

ID-Number: **50102562**

ID-Number: **41208453**



FORCE MEASURING PIN FOR GRIPPING FORCE CONTROL 0-60KN

MODEL

ID-Number: **41519486**

ID-Number: **41512267**



LIFTING DEVICE FOR VEHICLE

MODEL

ID-Number: **41443762**



HOISTING DEVICE - MAINTENANCE STAND

MODEL

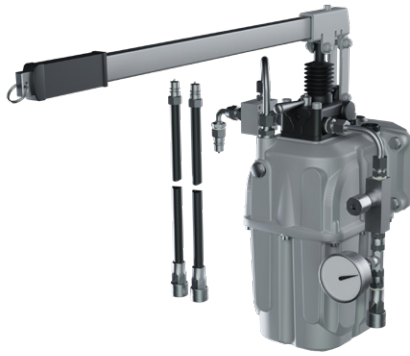
ID-Number: **41532170**



TEST BENCH FOR GRIP

MODEL

ID-Number: **41530561**



HAND PUMP TZ-2730 TECPAM25/5-PMAXAB

MODEL

ID-Number: **41529053**



ELECTRICAL CHAIN HOIST 1000 KG/6M

MODEL

ID-Number: **20101781**



MANUAL CHAIN HOIST KITO KM15S1/1G

MODEL

ID-Number: **15102686**



TOOL BOX

MODEL

ID-Number: **41528303**



TESTING DEVICE - MANOMETER AND ACCESSORIES

MODEL

ID-Number: **41528450**



HOISTING DEVICE FOR MAINTENANCE CARRIER

MODEL

ID-Number: **41422552**



HYDRAULIC UNIT FOR MAINTENANCE DEVICE

MODEL

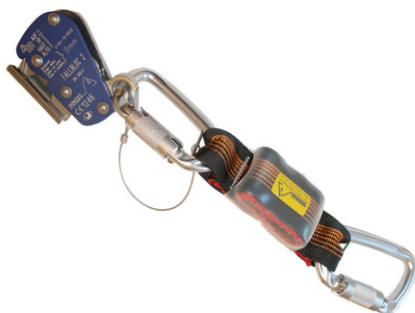
ID-Number: **41538920**



SUPPORT FOR HYDRAULIC UNIT - MAINTENANCE CARRIER

MODEL

ID-Number: **41523917**



FALL PROTECTION DEVICE FALLBLOC 2 IMMOOS 8D

MODEL

ID-Number: **20100923**

ACCESSORIES



**POWER SUPPLY
WITH PLUG**

MODEL
ID-Number: **05301476**

ACCESSORIES



SET - GREASE LUBRICATION

MODEL
ID-Number: **20102159**

ACCESSORIES



**HYDRAULIC OIL ATF
DEXRON III H - 5 KG**

MODEL
ID-Number: **28011832**

COMPONENTS FOR MAINTENANCE CF4 / CF2

STATION _____	30
VEHICLE _____	32
LINE _____	32
ACCESSORIES _____	37



STATION

TESTING DEVICE - MANOMETER AND ACCESSORIES

MODEL

ID-Number: **41528450**



STATION

C HOOK SPANNER FOR SAFETY BRAKE

MODEL

ID-Number: **51221123**



DEVICE FOR SLIPPING RESISTANCE TEST CF2 / CF4

MODEL

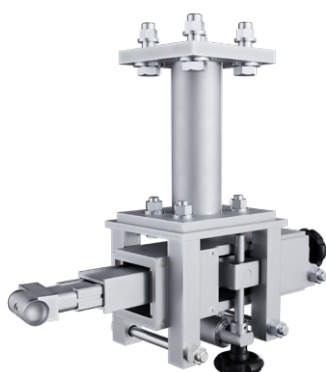
ID-Number: **41599487**



LUBRICATING DEVICE FOR SHEAVE BEARING

MODEL

ID-Number: **50220265**



TURNING JIG FOR SHEAVE LINER

MODEL

ID-Number: **50107506**



SHIFTING DEVICE FOR FIXED GRIP

MODEL

ID-Number: **50111872**

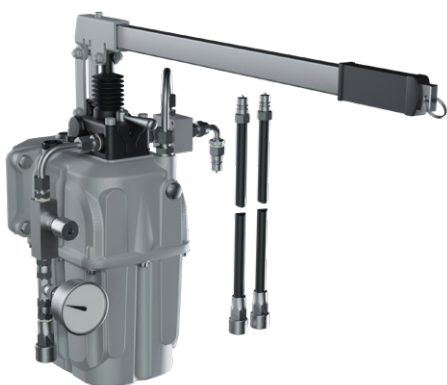
ID-Number: **2200055**



ASSEMBLY DEVICE FOR THERMAL SEAT COVER

MODEL

ID-Number: **51122197**



HAND PUMP TZ-2730 TECPAM25/5-PMAXAB

MODEL

ID-Number: **41529053**

LINE

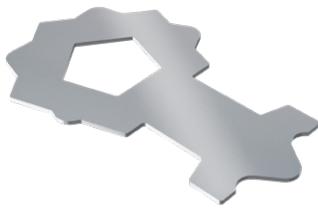


ROPE LIFTING DEVICE - HYDRAULIC

MODEL

ID-Number: **41524797**

LINE



TEMPLATE FOR SHEAVE LINER / ROLLER LINER

MODEL

ID-Number: **41510825**

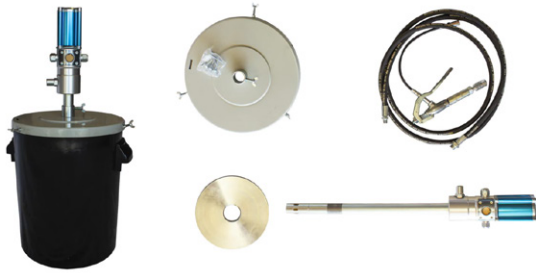
LINE



CHAIN HOIST 2500 KG / 8M

MODEL

ID-Number: **20101043**



PNEUMATIC PUMP FOR GREASE

MODEL

ID-Number: **28058186**



SET - CARTRIDGES WITH ADAPTOR

MODEL

ID-Number: **28058712**



BATTERY GREASE GUN

MODEL

ID-Number: **28025543**



MOUNTING DEVICE FOR ROLLER LINER T-0823

MODEL

ID-Number: **20100855**



HYDRAULIC ROPE LIFTING DEVICE FOR ROLLER BATTERY

MODEL

ID-Number: **41528050**



ROPE LIFTING DEVICE FOR COMPRESSION ROLLER BATTERY

MODEL

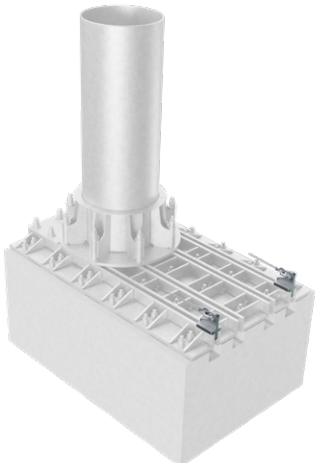
ID-Number: **15102725**



LOWERING DEVICE - VEHICLE LINE

MODEL

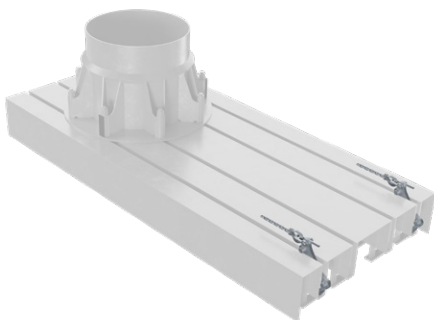
ID-Number: **41538813**



ADJUSTING DEVICE OUTSIDE - LINE TOWER

MODEL

ID-Number: **50104850**



ADJUSTING DEVICE INSIDE - LINE TOWER

MODEL

ID-Number: **50105677**

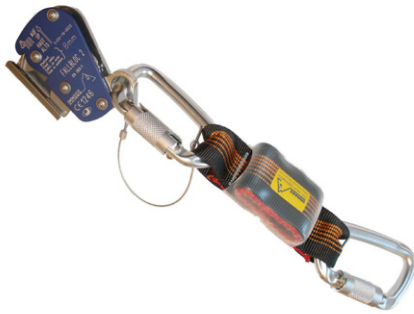


MOUNTING CONE FOR ROLLER AXLE D460-420

MODEL

ID-Number: **41199801**

ACCESSORIES



FALL PROTECTION DEVICE FALLBLOC 2 IMMOOS 8D

MODEL

ID-Number: **20100923**

ACCESSORIES



TOOL BOX

MODEL

ID-Number: **50102168**



HYDRAULIC OIL ATF DEXRON III H

MODEL

ID-Number: **28011832**



SET - GREASE LUBRICATION

MODEL

ID-Number: **20102159**

COMPONENTS FOR MAINTENANCE SL

STATION _____	39
GRIP _____	40
LINE _____	41
ACCESSORIES _____	42



STATION

SPECIAL KEY FOR BRAKE

MODEL

ID-Number: **51117614**

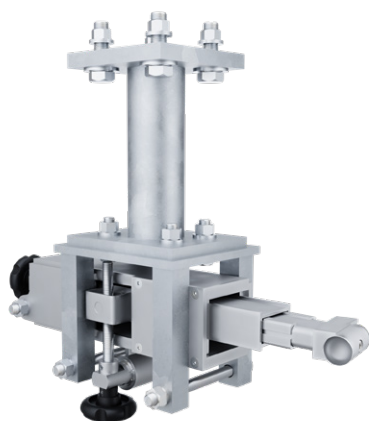


STATION

TEMPLATE FOR ROLLER LINER 280D

MODEL

ID-Number: **41396952**



TURNING JIG FOR SHEAVE LINER

MODEL

ID-Number: **41138553**



CALIBRATION CYLINDER FOR GRIP

MODEL

ID-Number: **50100959**



ADJUSTING DEVICE FOR GRIP

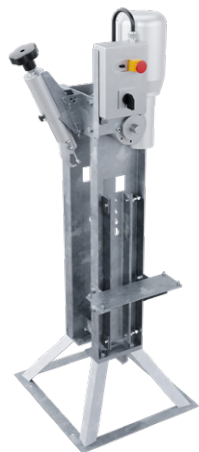
MODEL

ID-Number: **50100079**



ROPE LIFTING DEVICE

MODEL
ID-Number: **50104178**



DEVICE FOR ROLLER LINER

MODEL
ID-Number: **15101866**



ASSEMBLY DEVICE FOR ROLLER

MODEL
ID-Number: **50104145**



TOOL BOX

MODEL

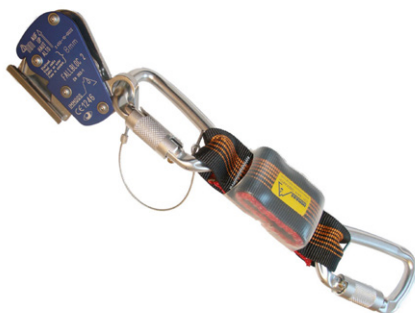
ID-Number: **50104177**



SET - GREASE LUBRICATION

MODEL

ID-Number: **20102159**



FALL PROTECTION DEVICE FALLBLOC 2 IMMOOS 8D

MODEL

ID-Number: **20100923**

LEITNER[®]

LEITNER AG

I-39049 Sterzing (BZ)

Tel. +39 0472 722 111

info@leitner.com

www.leitner.com